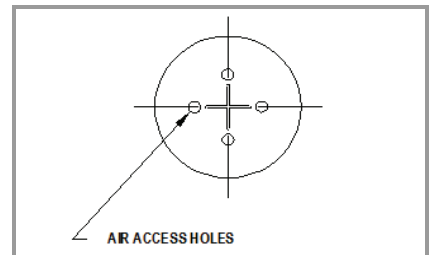
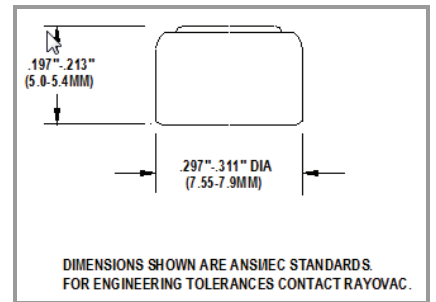
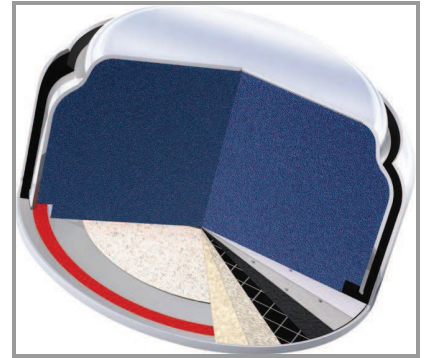
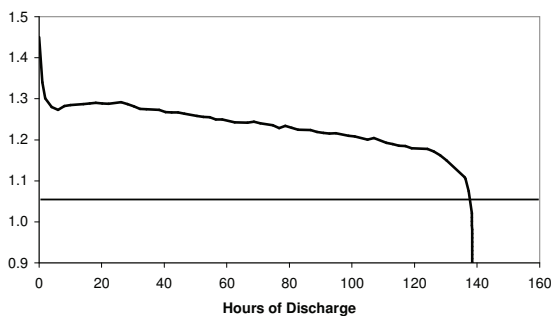


Rayovac Stock Number	13ZM
Name	13 Zero Mercury
Cell Chemistry	Zinc Air
Recommended Use	Hearing Aid Instruments
Nominal Voltage	1.45 volts
Designation	ANSI : 7000ZD IEC : PR48 Common : 13
Weight	0.79 grams (.03 oz)
Volume	.26 cc (.016 cu. in.)
Environmental	These cells have no added mercury. Refer to Rayovac Material Safety Data Sheets for more detailed information
Operating Temperature Range	-10° C to 50° C (14° F to 122° F)
ANSI/IEC Hearing Aid Standard Test	136 hours – 2 mA background, 6 mA 100 ms pulse, once every 2 hours, 12 hours/day to 1.05V at 70°F (21° C) and 50% RH.
ANSI/IEC Hearing Aid High Power Test	89 hours – 3 mA background, 12 mA 100 ms pulse, once every 2 hours, 12 hours/day to 1.05V at 70°F (21° C) and 50% RH.
Storage Loss at 70°F (21°C)	Less than 10% in one year with tab applied.
Activation and use	Remove and discard the plastic tab covering air holes. Allow the battery to stand for one minute to insure proper activation. The battery compartment must allow for an adequate oxygen supply to reach air



Typical ANSI/IEC Discharge Performance

Standard



High Power

