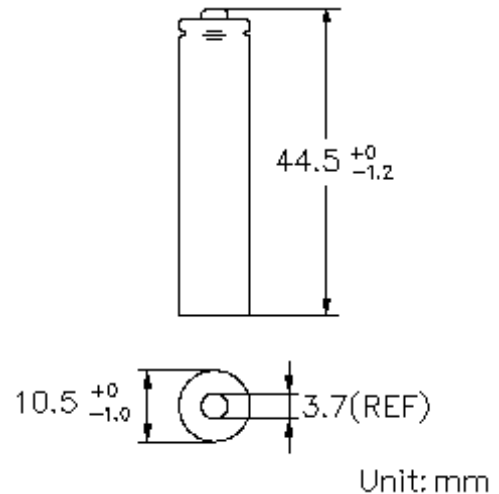
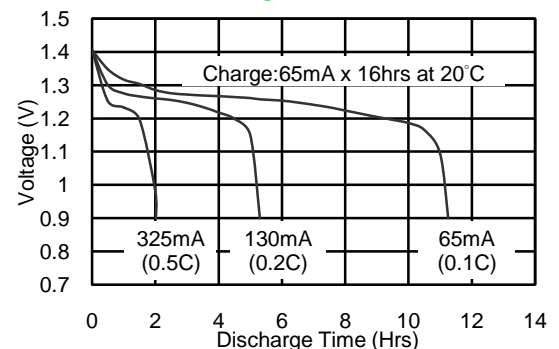


<b>Type</b>	: Rechargeable Nickel Metal Hydride Cylindrical Cell
<b>Nominal Dimension (with Sleeve)</b>	: $\Phi = 10.5\text{mm}$ H = 44.5mm
<b>Applications</b>	: Recommended discharge current 65 to 1950mA
<b>Nominal Voltage</b>	: 1.2V
<b>Capacity</b>	: Rated: 650mAh Typical: 670mAh When discharged at 130mA to 1.0V at 20°C
<b>Charging Condition</b>	: 65mA for 16 hrs at 20°C
<b>Charging Retention</b>	: 80% of rated capacity after cell storage at 20°C for 12 months When discharged at 130mA to 1.0V at 20°C
<b>Fast Charge</b>	: 325mA to 650mA (0.5 to 1C) charge termination control recommended control parameters: - $\Delta V$ : 0-5mV DT/dt : 0.8°C/min (0.5 to 0.9C) 0.8 - 1°C/min (1C) TCO : 45 - 50°C Timer : 105% nominal input (for ref. only)
<b>Service Life</b>	: >500cycles (IEC standard)
<b>Continuous Overcharge</b>	: 65mA maximum current for 1 year. No conspicuous deformation and/or leakage
<b>Weight</b>	: 13.1g
<b>Internal Resistance</b>	: Average 45m $\Omega$ upon fully charged (Max. 65m $\Omega$ ) at 1000Hz
<b>Max. Charging Voltage</b>	: 1.5V at 65mA charging
<b>Ambient Temperature Range</b>	: Standard Charge : 0 to 45°C Fast Charging : 10 to 45°C Discharge : -20 to 50°C Storage : -20 to 35°C

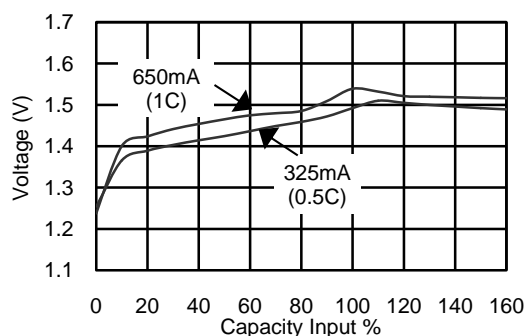
Model No.: **650AAHCB**



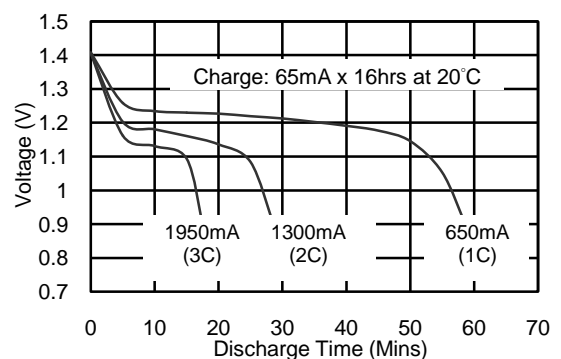
### Low Rate Discharge



### Fast Charge (Charge Control Required)



### High Rate Discharge



The information (subject to change without prior notice) contained in this document is for reference only and should not be used as a basis for product guarantee or warranty. For applications other than those described here, please consult your nearest GP Sales and Marketing Office or Distributors.